



Junction box for Applied Technology Standard

Description

The polyester connection enclosure is used to connect one or more heating circuits to the supply voltage. The enclosures have the appropriate terminals and the required cable glands and threaded entries. Connection enclosures are available in aluminium on request.

➔ Technical data

Protection class according to EN 60529
Cover gasket IP 65

Cable gland for power supply cables IP 67

Supply voltage
max. AC 254 V

Supply cable, cross section
2.5 mm² up to 6.0 mm²

Impact resistance
7 Nm

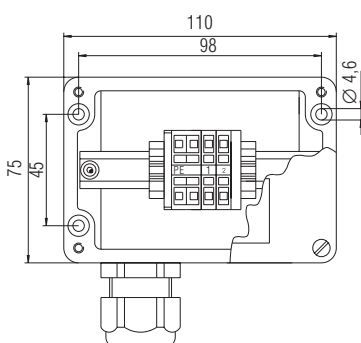
Material
polyester, glass-fibre reinforced

Gland size **Cable diameter**
M 20 Ø 6 to 12 mm
M 25 Ø 8 to 17 mm

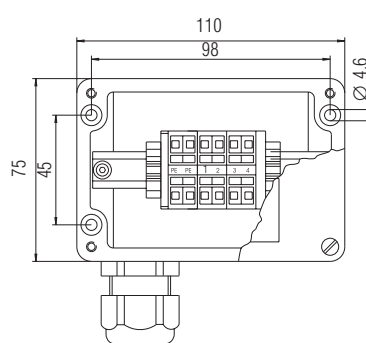
Selection chart

Used for connection system	Heating circuit junction box	Dimensions mm	Cable gland	Threaded hole	Terminals mm ²	➔ Order no.
			for power supply	for heating circuit		
Applied Technology	single	110 x 75 x 55	1 x M 25 (Ø 8 up to 17 mm)	1 x M 20	4 x 2.5; 4 x PE	07-5177-9024
	double	110 x 75 x 55	1 x M 25 (Ø 8 up to 17 mm)	2 x M 20	8 x 2.5; 4 x PE	07-5177-9025
	triple	122 x 120 x 90	1 x M 25 (Ø 8 up to 17 mm)	3 x M 20	12 x 6; 6 x PE	07-5177-9026

Junction box single



Junction box double



Junction box triple

